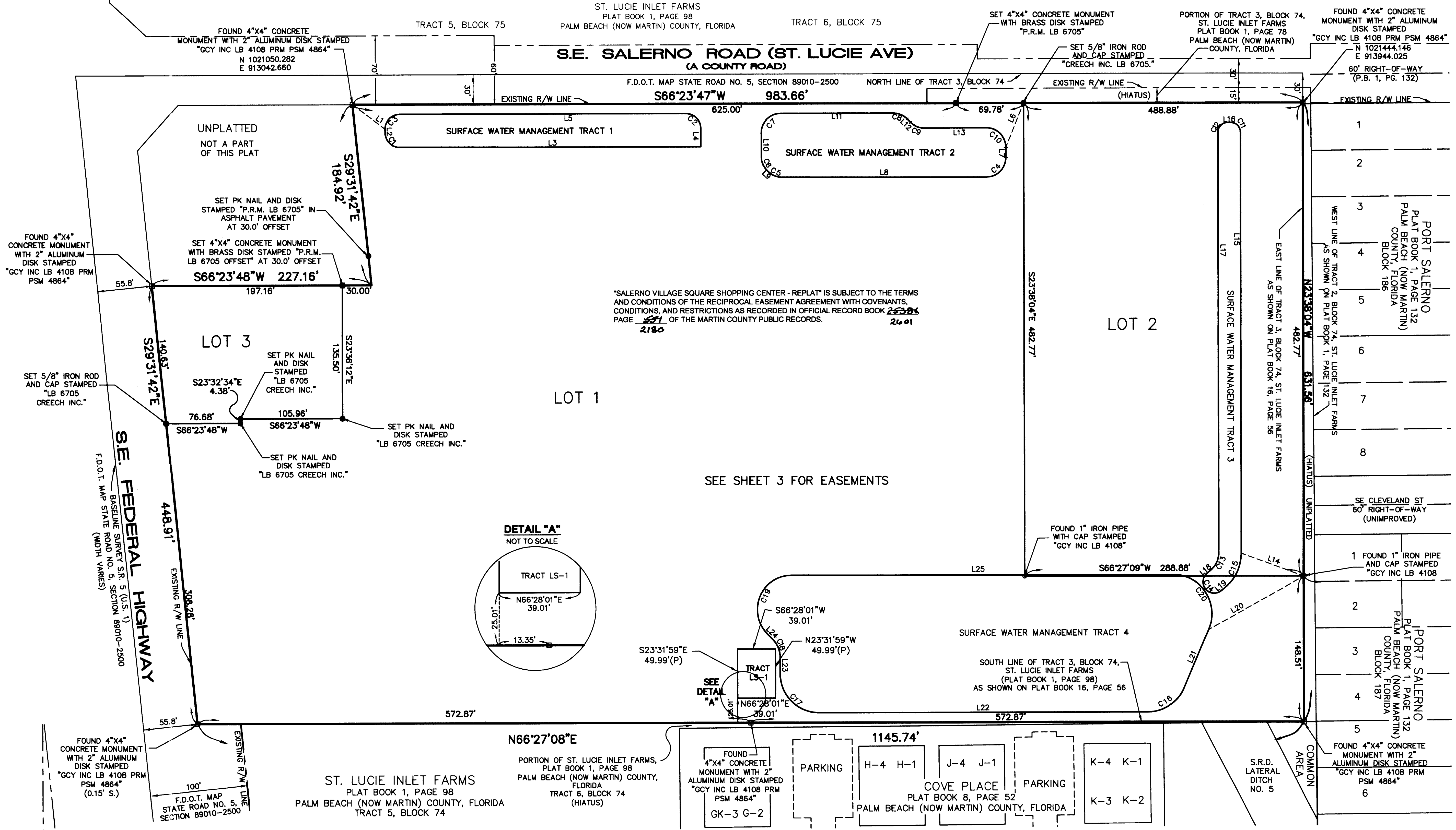


SALERNO VILLAGE SQUARE SHOPPING CENTER REPLAT

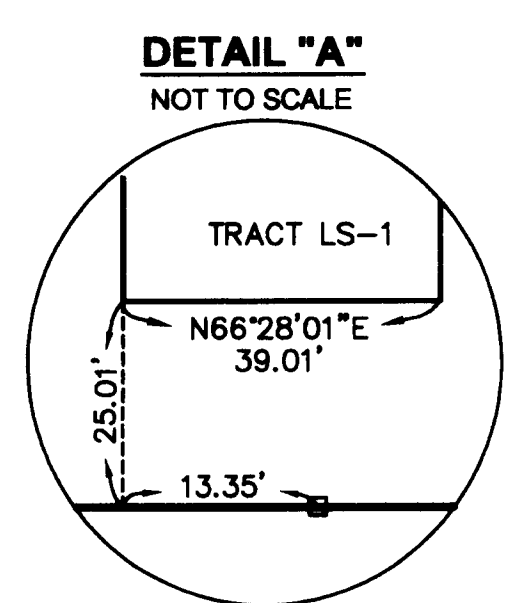
BEING A REPLAT OF PLAT OF SALERNO VILLAGE SQUARE SHOPPING CENTER,
AS RECORDED IN PLAT BOOK 16, PAGES 56, PUBLIC RECORDS OF MARTIN COUNTY, FLORIDA.
LYING IN A PORTION OF SECTION 18, TOWNSHIP 37 SOUTH, RANGE 41 EAST
CITY OF STUART, MARTIN COUNTY, FLORIDA



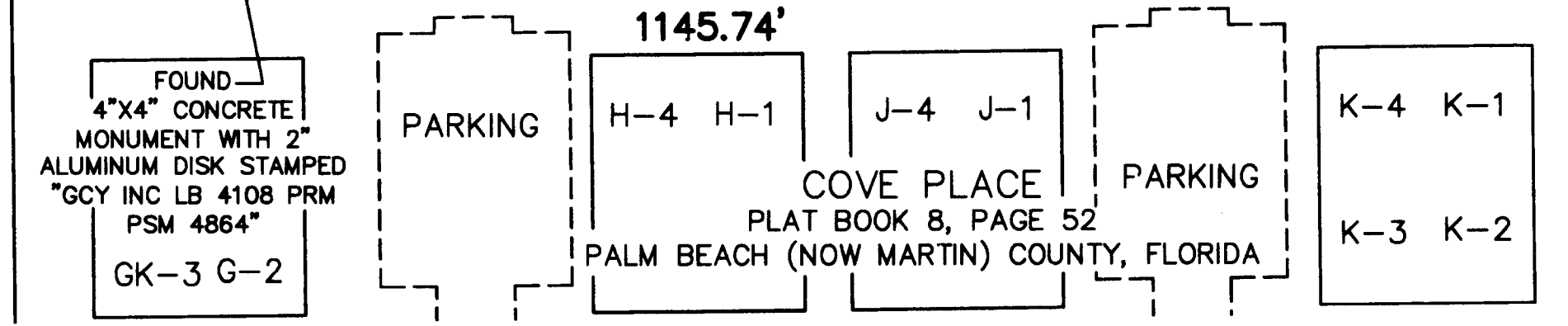
THIS MAP IS INTENDED TO BE DISPLAYED AT A SCALE OF 1" = 50' OR SMALLER



"SALERNO VILLAGE SQUARE SHOPPING CENTER - REPLAT" IS SUBJECT TO THE TERMS AND CONDITIONS OF THE RECIPROCAL EASEMENT AGREEMENT WITH COVENANTS, CONDITIONS, AND RESTRICTIONS AS RECORDED IN OFFICIAL RECORD BOOK 26326 PAGE 2180 OF THE MARTIN COUNTY PUBLIC RECORDS.



N66°27'08"E
PORTION OF ST. LUCIE INLET FARMS, PLAT BOOK 1, PAGE 98, PALM BEACH (NOW MARTIN) COUNTY, FLORIDA, TRACT 6, BLOCK 74 (HIATUS)



LEGEND

- A = ARC LENGTH
- Δ = CENTRAL ANGLE
- E = EASTING
- CB = CHORD BEARING
- CH = CHORD DISTANCE
- F.D.O.T. = FLORIDA DEPARTMENT OF TRANSPORTATION
- FPL = FLORIDA POWER & LIGHT INC.
- INC. = INCORPORATED
- LS-1 = LICENSED BUSINESS
- LS-1 = LIFT STATION TRACT
- N. = NORTHING
- O.R.B. = OFFICIAL RECORDS BOOK
- P.R.M. = PERMANENT REFERENCE MONUMENT
- PSM = PROFESSIONAL SURVEYOR AND MAPPER
- R = RADIUS
- R/W = RIGHT-OF-WAY
- = FOUND 4"x4" CONCRETE MONUMENT WITH 2" ALUMINUM DISK STAMPED "GCY INC LB 4108 PRM PSM 4864"
- = FOUND 1" IRON PIPE AND CAP STAMPED "GCY INC LB 4108"
- = SET 4"x4" CONCRETE MONUMENT WITH BRASS DISK STAMPED "P.R.M. LB 6705" OR "P.R.M. LB 6705 OFFSET"
- = SET PK NAIL AND DISK STAMPED "P.R.M. LB 6705"
- = SET 5/8" IRON ROD AND CAP STAMPED "CREECH INC. LB 6705"

LINE	BEARING	LENGTH	LINE	BEARING	LENGTH
L1	S76°59'40"E	41.92	L14	S85°55'22"W	69.50
L2	S23°36'12"E	3.51	L15	N23°37'11"W	429.59
L3	N66°28'01"E	311.88	L16	S66°24'41"W	3.00
L4	N23°31'59"W	18.88	L17	S23°37'11"E	429.59
L5	N66°23'48"E	296.89	L18	S27°46'29"W	4.69
L6	S01°35'41"E	48.74	L19	S27°46'29"W	4.69
L7	S23°31'59"E	10.03	L20	S37°31'42"W	113.05
L8	S66°28'01"W	212.00	L21	S00°17'17"W	65.59
L9	N69°45'22"W	2.93	L22	S66°27'08"W	339.93
L10	N23°31'59"W	24.93	L23	N23°31'59"W	16.70
L11	N66°23'48"E	116.68	L24	S68°31'59"E	8.44
L12	S68°36'12"E	4.85	L25	S66°28'01"W	394.96
L13	S66°24'41"W	64.77			

CURVE	RADIUS	CENTRAL ANGLE	LENGTH	CURVE	RADIUS	CENTRAL ANGLE	LENGTH
C1	15.00	89°55'47"	23.54	C11	10.00	89°58'08"	15.70
C2	15.00	90°04'13"	23.58	C12	10.00	90°01'52"	15.71
C3	15.00	90°00'00"	23.56	C13	22.00	51°23'40"	19.73
C4	20.00	90°00'00"	31.42	C14	11.50	180°00'00"	36.13
C5	20.00	40°03'07"	13.98	C15	45.00	51°23'40"	40.37
C6	20.00	42°58'26"	15.00	C16	40.00	66°09'51"	46.19
C7	20.00	89°55'47"	31.39	C17	40.00	90°00'53"	62.84
C8	20.00	45°00'00"	15.71	C18	25.00	45°00'00"	19.63
C9	20.00	44°59'07"	15.70	C19	35.00	135°00'00"	82.47
C10	20.00	90°03'20"	31.44	C20	40.00	113°49'16"	79.46

CREECH

ENGINEERS, INC.

CIVILIZATION ENGINEERED
7881 S.W. ELLIPSE WAY, STUART, FL 34997 (772) 283-1413

BOARD OF PROFESSIONAL ENGINEERS, CERTIFICATE OF AUTHORIZATION NUMBER 9338
PROFESSIONAL SURVEYORS AND MAPPERS, LICENSED CERTIFICATE NO. LB-00070